

SECURITY SECURITY SIGNALING



SWIFTLANE

# Access & Power Integration

## Trove1SF1

- Trove1 enclosure with Altronix/Swiftlane Controls backplane (TSF1)

## TSF1

- Altronix/Swiftlane Controls backplane only

## Trove2SF2

- Trove2 enclosure with Altronix/Swiftlane Controls backplane (TSF2)

## TSF2

- Altronix/Swiftlane Controls backplane only

# Installation Guide

All registered trademarks are property of their respective owners.

Rev. TSF011820

Installing Company: \_\_\_\_\_ Service Rep. Name: \_\_\_\_\_

Address: \_\_\_\_\_ Phone #: \_\_\_\_\_

## Overview:

Trove1SF1 and Trove2SF2 accommodate Swiftlane Controls modules with or without Altronix power supplies and accessories for access control systems.

## Specifications:

- 16 Gauge backplane and enclosure with ample knockouts for convenient access.

### Trove1SF1

Trove1 enclosure with TSF1 Altronix/Swiftlane Controls backplane

- Includes: tamper switch, cam lock, lock nuts, and mounting hardware.

Enclosure Dimensions (H x W x D):

18" x 14.5" x 4.625" (457mm x 368mm x 118mm).

### TSF1

Altronix/Swiftlane Controls backplane only

- Includes mounting hardware.

Dimensions (H x W x D):

16.625" x 12.5" x 0.3125" (422.3mm x 317.5mm x 7.9mm).

**TSF1 accommodates a combination of the following:**

#### Altronix Modules:

- One (1) AL400ULXB2, AL600ULXB, AL1012ULXB, AL1024ULXB2, eFlow4NB, eFlow6NB, eFlow102NB or eFlow104NB.
- Two (1) ACM4(CB), MOM5, PD4UL(CB), PD8UL(CB), PDS8(CB), VR6.

#### Swiftlane Controls Modules:

- One (1) Swiftlane Controls Door Controller 5 (SL-DCU-5).

### Trove2SF2

Trove2 enclosure with TSF2 Altronix/Swiftlane Controls backplane

- Includes: tamper switch, cam lock, lock nuts, and mounting hardware.

Enclosure Dimensions (H x W x D):

27.25" x 21.75" x 6.5" (692.2mm x 552.5mm x 165.1mm).

### TSF2

Altronix/Swiftlane Controls backplane only

- Includes mounting hardware.

Dimensions (H x W x D):

25.375" x 19.375" x 0.325" (644.5mm x 482.6mm x 8.3mm)

**TSF2 accommodates a combination of the following:**

#### Altronix Modules:

- Two (2) AL400ULXB2, AL600ULXB, AL1012ULXB, AL1024ULXB2, eFlow4NB, eFlow6NB, eFlow102NB or eFlow104NB.
- Up to four (4) ACM8(CB), MOM5, PD4UL(CB), PD8UL(CB), PDS8(CB), VR6.

#### Swiftlane Controls Modules:

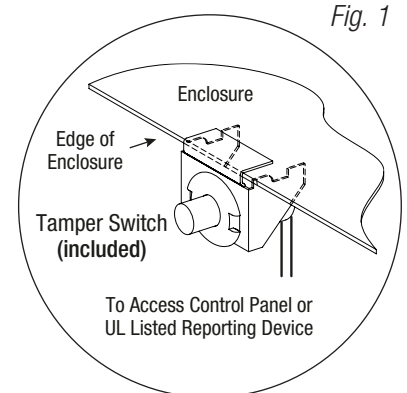
- Three (3) Swiftlane Controls Door Controllers 5 (SL-DCU-5).

## Agency Listings:

- UL 294 - 6th edition: Line Security I, Destructive Attack I, Endurance IV, Stand-by Power II\*.  
\*Stand-by Power Level I if no battery is supplied.
- This Class B digital apparatus complies with Canadian ICES-003.  
Cet appareil numérique de la classe B est conforme à la norme NMB-003 du Canada.
- CE European Conformity.

## Installation Instructions for Trove1 and Trove2:

1. Remove backplane from enclosure prior to mounting (do not discard hardware).
2. **Trove1SF1 (Pg. 7):**  
Mark and predrill holes on the wall to line up with the top two keyholes in the enclosure. Install two upper fasteners and screws in the wall with the screw heads protruding. Place the enclosure's upper keyholes over the two upper screws; level and secure. Mark the position of the lower two holes. Remove the enclosure. Drill the lower holes and install the two fasteners. Place the enclosure's upper keyholes over the two upper screws. Install the two lower screws and make sure to tighten all screws.  
**Trove2SF2 (Pg. 8):**  
Mark and predrill holes on the wall to line up with the top three keyholes in the enclosure. Install three upper fasteners and screws in the wall with the screw heads protruding. Place the enclosure's upper keyholes over the three upper screws; level and secure. Mark the position of the lower three holes. Remove the enclosure. Drill the lower holes and install the three fasteners. Place the enclosure's upper keyholes over the three upper screws. Install the three lower screws and make sure to tighten all screws.
3. Mount included UL Listed tamper switch (Altronix Model TS112 or equivalent) in desired location, opposite hinge. Slide the tamper switch bracket onto the edge of the enclosure approximately 2" from the right side (*Fig. 1, pg. 1*). Connect tamper switch wiring to the Access Control Panel input or the appropriate UL Listed reporting device. To activate alarm signal open the door of the enclosure.
4. Mount Altronix/Swiftlane Controls modules to TSF1 or TSF2 backplane, refer to *pages 3, 4*.



## TSF1: Configuration of Altronix Power Supply and Sub-Assemblies:

1. Fasten 5/8" spacers (provided) to pems that match the hole pattern for Altronix Power Supply/Charger or Altronix Sub-Assembly boards (Fig. 2, pg. 3). Fasten metal spacers in the correct locations to provide proper grounding (Fig. 2, pg. 3).
2. Mount boards to spacers utilizing 5/16" pan head screws (provided) (Fig. 2, 2a, pg. 3).

## TSF1: Configuration of Swiftlane Controls Boards:

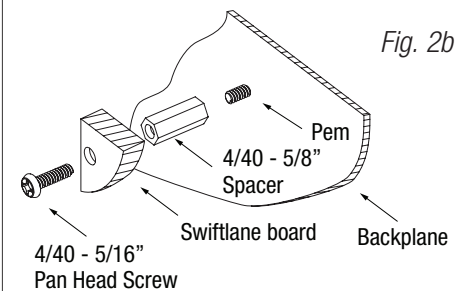
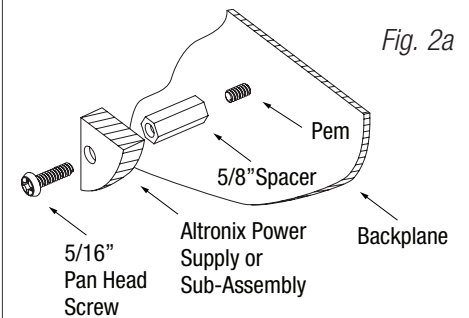
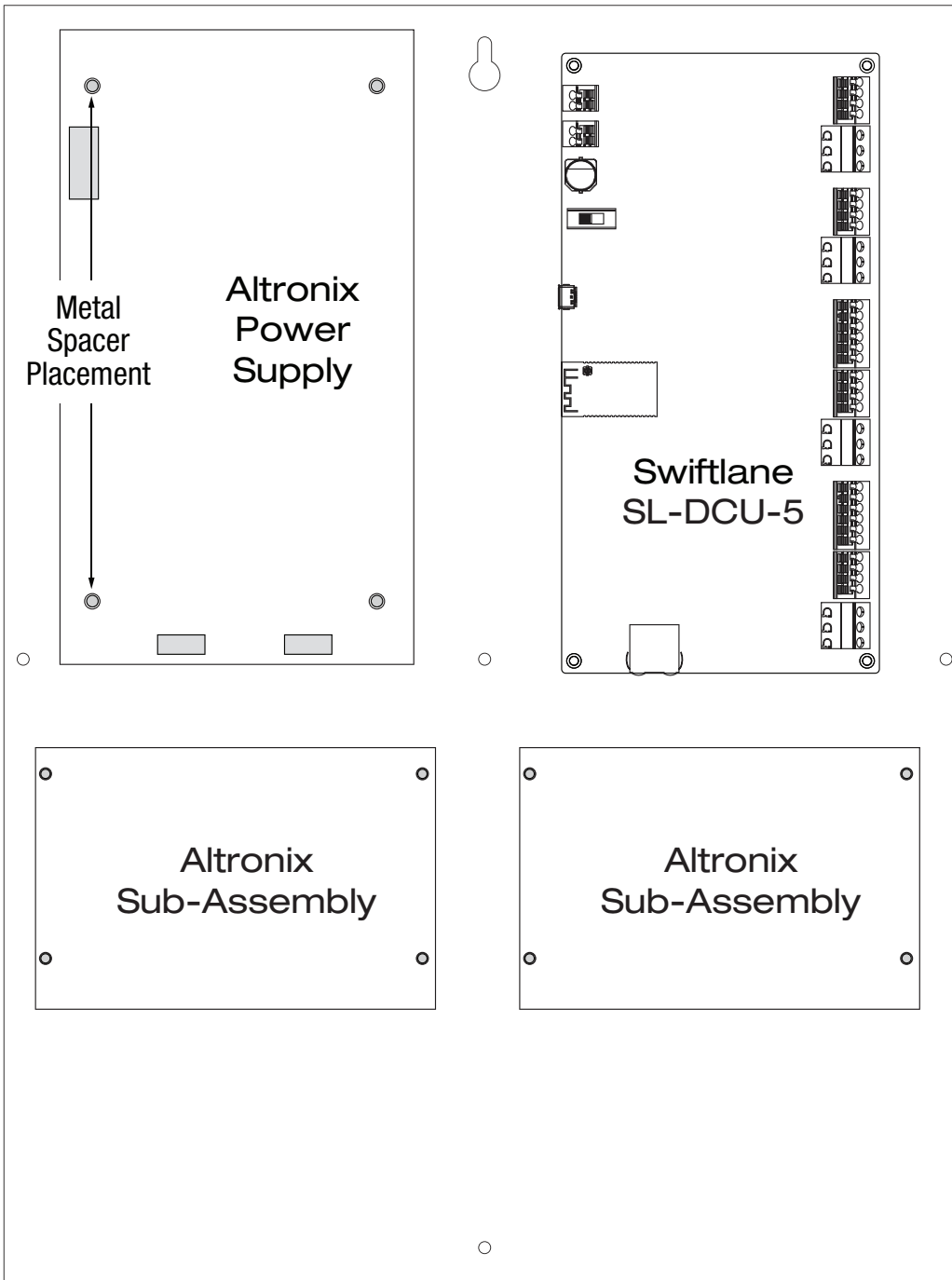
1. Align the Swiftlane board on the backplane to match the boards' mounting holes with corresponding pems.
2. Fasten 4/40 - 5/8" Metal Spacers (provided) to pems that match the hole pattern for Swiftlane board (Fig. 2, 2b, pg. 3).

**Note:** Swiftlane board must be properly grounded.

Please use provided metal spacers for the lower right mounting holes (Fig. 2, pg. 3).

3. Mount Swiftlane board to spacers utilizing provided 4/40 - 5/16" Pan Head Screws (Fig. 2b, pg. 3).
4. Fasten backplane to Trove1 enclosure utilizing lock nuts (provided).

Fig. 2 - Trove1SF1/TSF1 Configurations



## TSF2: Configuration of Altronix Power Supplies and Sub-Assemblies:

1. Fasten 5/8" spacers (provided) to pems that match the hole pattern for Altronix Power Supply/Chargers or Altronix Sub-Assembly boards (Fig. 3, pg. 4). Fasten metal spacers in the correct locations to provide proper grounding (Fig. 3, pg. 4).
2. Mount boards to spacers utilizing 5/16" pan head screws (provided) (Fig. 3, 3a, pg. 4).

## TSF2: Configuration of Swiftlane Controls Boards:

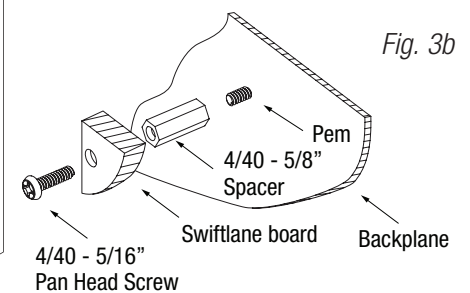
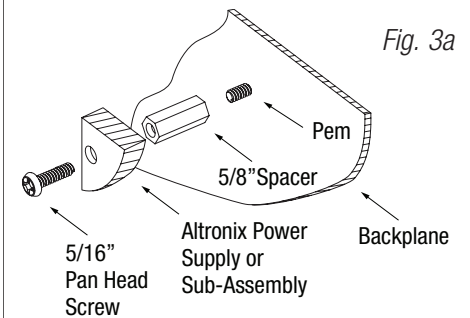
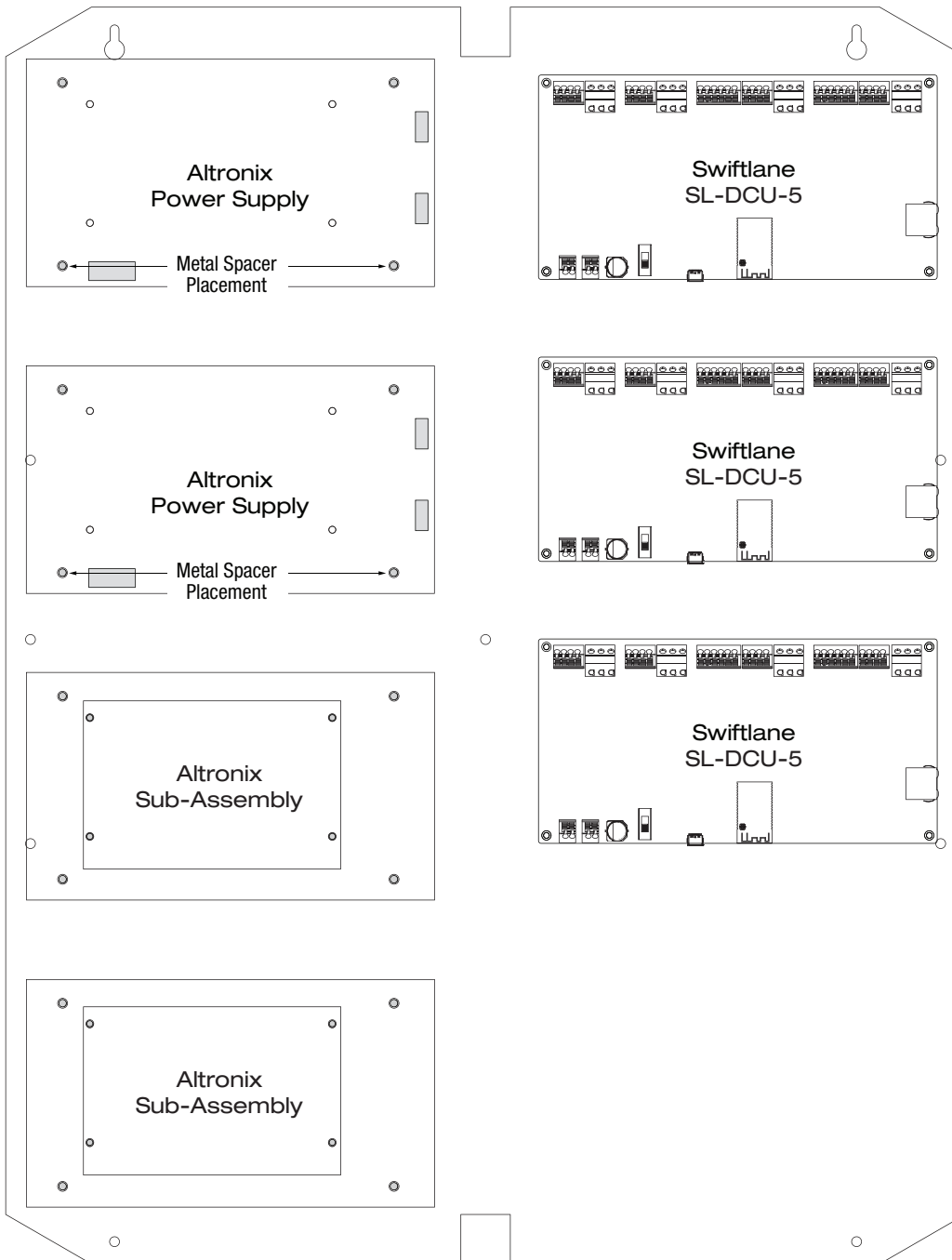
1. Align the Swiftlane boards on the backplane to match the boards' mounting holes with corresponding pems.
2. Fasten 4/40 - 5/8" Metal Spacers (provided) to pems that match the hole pattern for Swiftlane board (Fig. 3, 3b, pg. 4).

**Note:** Swiftlane board must be properly grounded.

Please use provided metal spacers for the upper left mounting holes (Fig. 3, pg. 4).

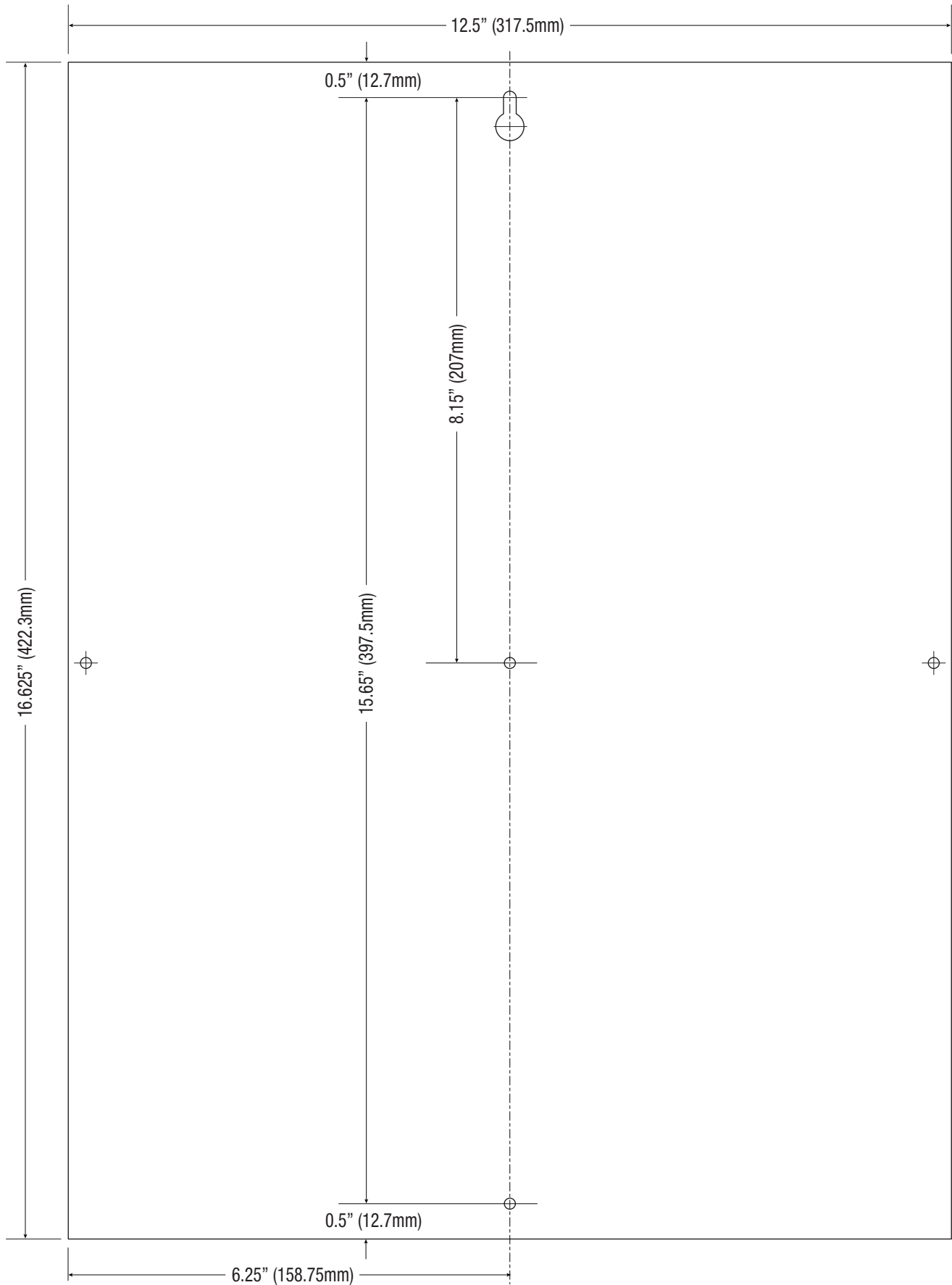
3. Mount Swiftlane boards to spacers utilizing provided 4/40 - 5/16" Pan Head Screws (Fig. 3b, pg. 4).
4. Fasten backplane to Trove2 enclosure utilizing lock nuts (provided).

Fig. 2 - Trove2SF2/TSF2 Configurations



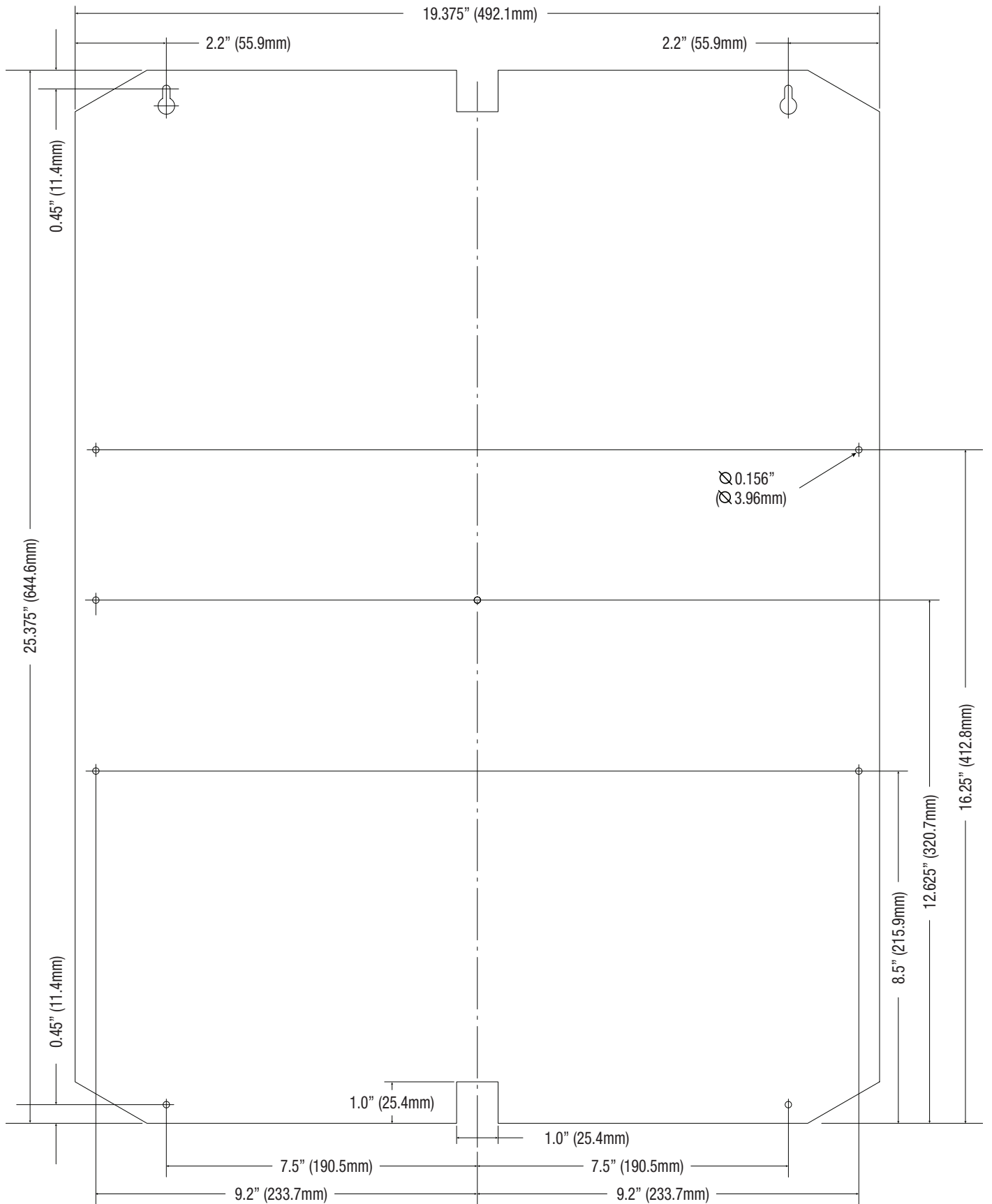
### TSF1 Dimensions

16.625" x 12.5" x 0.3125" (422.3mm x 317.5mm x 7.9mm)



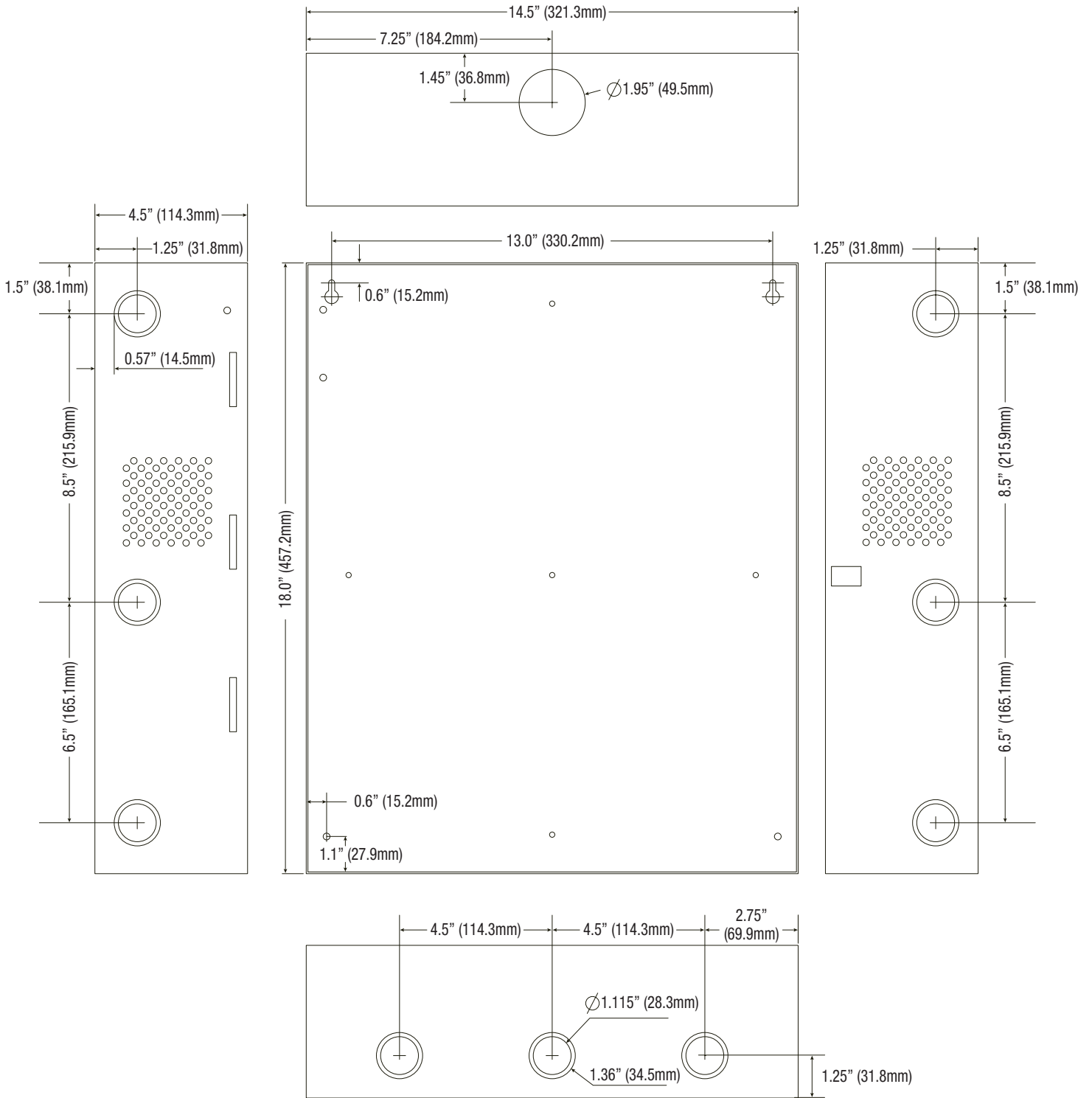
# TSF2 Dimensions

25.375" x 19.375" x 0.325" (644.5mm x 482.6mm x 8.3mm)



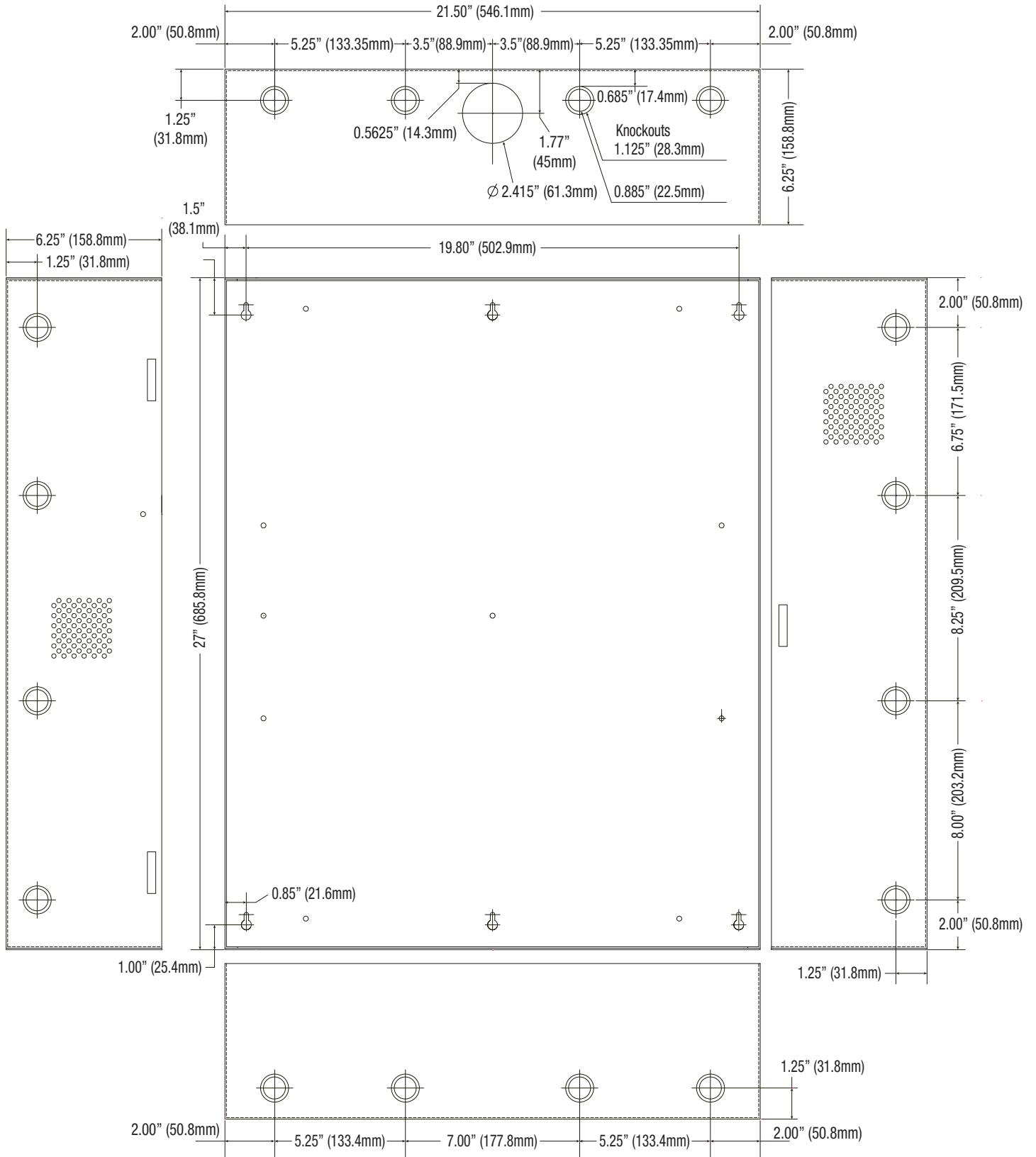
# Trove1SF1 Enclosure Dimensions (H x W x D):

18" x 14.5" x 4.625" (457mm x 368mm x 118mm)



## Trove2SF2 Enclosure Dimensions (H x W x D):

27.25" x 21.75" x 6.5" (692.2mm x 552.5mm x 165.1mm)



Swiftlane is not responsible for any typographical errors.